

# VORTEX™

## Compact Hand Dryers Series VX2805

---

Stainless Steel  
Compact  
Hand Dryer  
*Multicolour Options*



**Black**



**Brushed**



**Polished**

Power, Elegance & Eco Friendly

Australian Standard AS/NZS 60335.2.23:2017 & AS/NZS 60335.1:2011 +A1 +A2 +A3 +A4  
Certificate Number SGS/190175 issued to Ozwashroom for trade mark Vortex™.

# Feature

---

- Innovative mini design,Smaller than A4 paper, save space
- Colorful 304 stainless steel shell, multiple choices
- Metal housing, durable and environmentally friendly
- Compact size, strong airflow and low noise
- Dynamic display of power indicator
- Plug in or concealed wire installation available

## Customize your dryers' temperature:

1. When the room temperature is higher than 25°C, It blows normal temperature air (500W). When the room temperature is below 25°C, It blows warm air (1150W)
2. Remove the temperature sensor(Explanation in the instructions), It always blows warm air (1150W).

# Specification

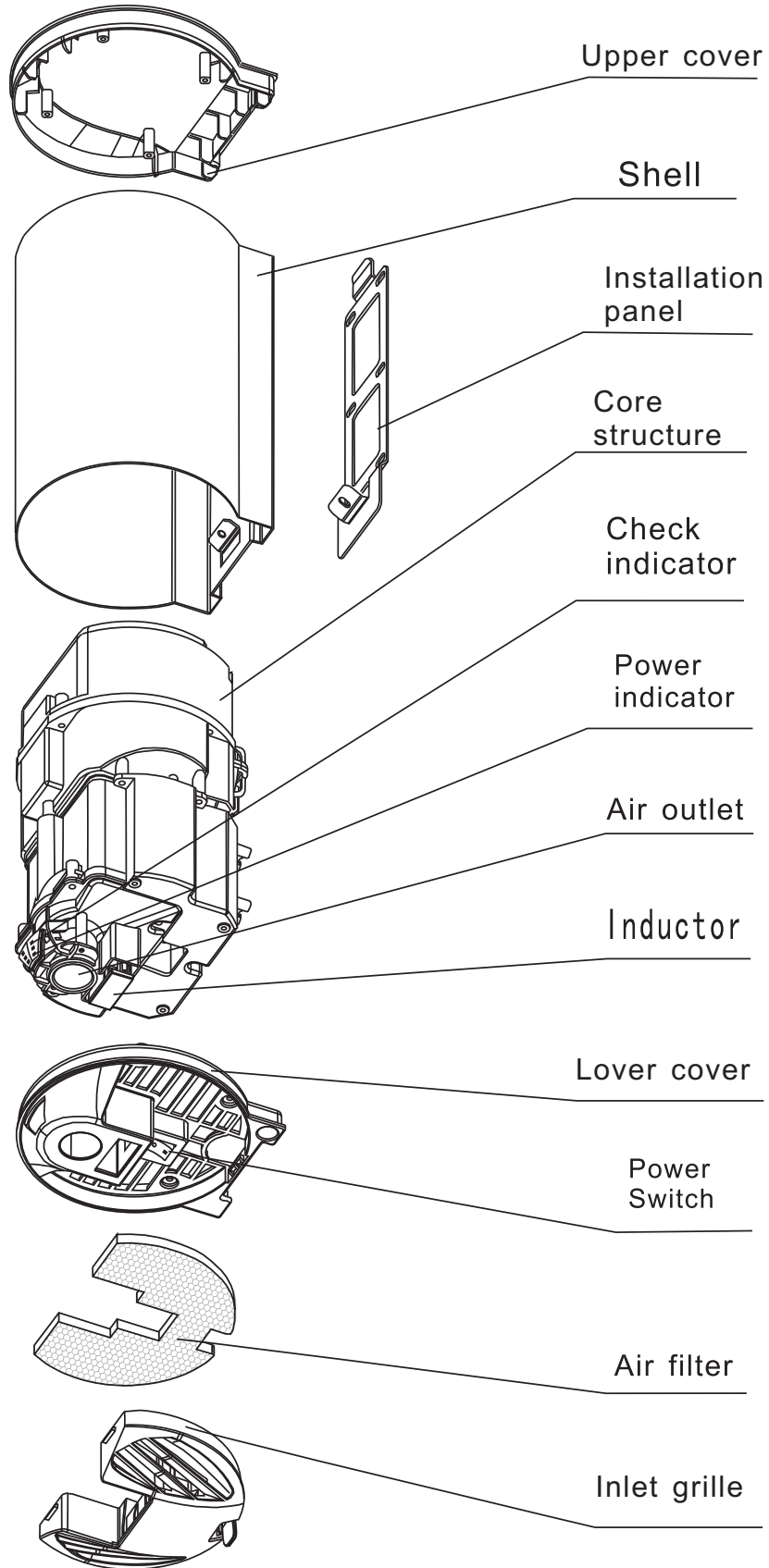
---

Dimension	280x153x162mm
N.W	3.4kg

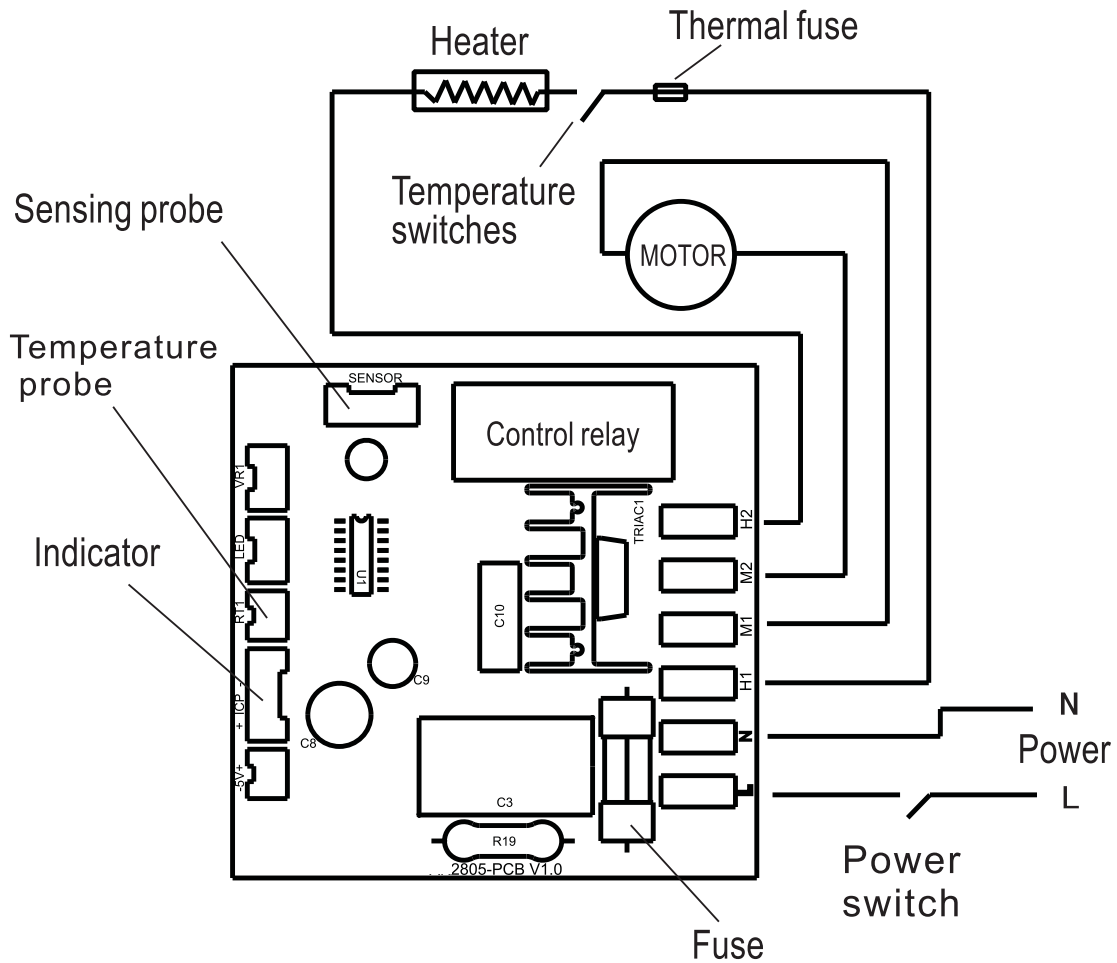
Voltage	220/240 Volts	Motor	Brush motor
Phase	Single-phase	Sensing distance	15-20cm
Input	1150-1350W	Protection class	IPX1
Heating power	650-750W	Wind speed	68m/s

# PARTS NAME

---



# Electrical diagram



**Contact us:**

**Email: [info@ozwashroom.com.au](mailto:info@ozwashroom.com.au)**

**Ph: 1300652715**

**Web: [www.ozwashroom.com.au](http://www.ozwashroom.com.au)**

**or visit our showroom at 5 Enterprise Crt, Mulgrave, 3170**