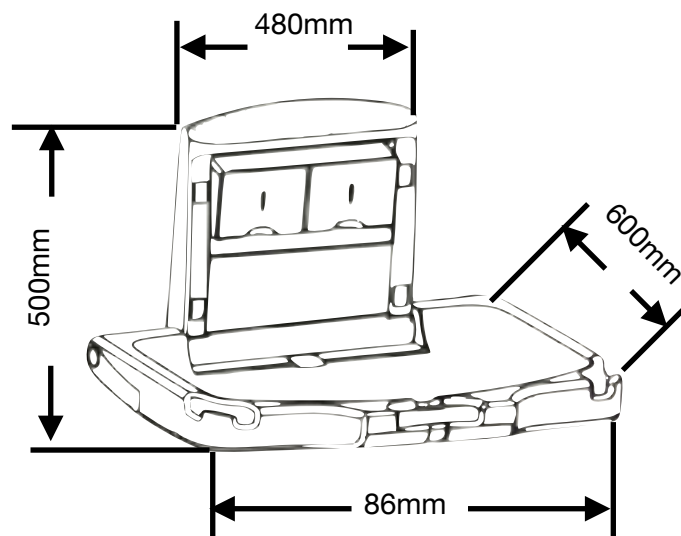




OzWashroom

**Kanga Kare Products**  
**KK8001 Horizontal Wall Mounted Baby**  
**Change Station**  
**KK8001-00 White colour**  
**KK8001-01 Grey colour**



## **OPERATION:**

Metal mounting chassis provides controlled, slow opening and closing of bed. Polypropylene is easy to clean to prevent bacterial growth.



### **Warning:**

To ensure that the unit supports the intended loads, baby changing stations must be properly installed according to Building Standards.

## **Product Features:**

- Easy to use and hygiene

The unit manufactured by the antibacterial hdpe, helps reduce the risk of cross-contamination.

A disposable liner or blanket can be set between the child and the change table.

- Easy to open and close, space- saving

Foldable design provides space optimisation, closing the table when not in use.

- Built in paper holder

The unit is built- in paper holder to provide the disposable liners

- Safety use

With adjustable restraint belt to better protect baby and keep safety.

- Product use

The unit can be used in hospitals, restaurant, hotel, shopping centres & malls, Station & airport, family and some public places.

## Installation:

It is recommended that trade professional perform the installation of the unit. The unit must be properly installed onto a permanent wall that capable of supporting significant weight and can accommodate the supplied installation hardware.

Installer should account for the space that a unit occupies when in the down position and whether standing in front of the unit.

Select the wall area where the unit will be installed. Make sure you have taken into consideration the operating clearance on both sides of the exposed chassis and from wall surface when open. Adhere to Building Standards.

Ensure the locations you have marked for the mounting holes are level before drilling.

