



## FEATURES

Unit shall contain a door facing and wall flange dress trim of satin finished 18 gauge type 304 stainless steel. No parts of the operating mechanism shall be accessible when unit is open or closed to provide a tamper-resistant and pinch proof user environment. Unit shall have a damped gas spring to assist user in opening and closing bed tray with the use of one hand. Has one bag hook and a bed-liner dispenser that may be easily converted to a multi-fold towel dispenser with no adapters. Unit shall provide graphics and instructions in four languages on interior back. Unit shall be provided with an adjustable two-part vinyl coated child protection safety-strap mounted with concealed fasteners on high walls of cradle. Entire unit shall be assembled of completely sealed components to provide easy cleaning and no penetration zones to harbor microbes or bacteria. Unit shall mount on standard stud wall dimensions and with proper anchoring may mount on all suitable wall constructions. Mounting fasteners shall be concealed after installation using colour matched recess plug-covers supplied. Entire unit shall be recyclable at end of usable life.

## INSTALLATION DETAILS

Installation instructions along with operation and maintenance manual are provided with each unit. Unit is recess mounted using hardware supplied through concealed mounting holes. Hardware kit supplied has fasteners suitable for metal or wood stud walls in dry locations and general hollow wall construction where adequate substrate strength is obtained. Fasteners and anchors for masonry walls are not provided. Wall reinforcement must be suitable to sustain transfer of maximum unit loading. Mounting hole plug covers are supplied to conceal fasteners after installation. Provide rough wall opening of required depth from face of finished wall. Mount unit in properly framed RWO using four № 10 x 1-1/2" (M5x38) self-tapping pan head screws through side holes. For alternate rear holes mounting see installation instructions packed with unit. Alternate suggested mounting where wall depth and framing reinforcement permits is to use four 3/8" x 2" (M10x51) lag screws (or other fasteners appropriate for wall conditions, not supplied) through mounting holes in rear wall of cabinet. Use washers and mounting hole plug covers provided.

## ROUGH WALL OPENING (RWO)

902(W) x 622(H) x 102(D)

## SPECIFICATION

Unit supports a static load of up to 136.1kg (tested in excess of 158.8kg) when properly installed in accordance with the Installation and Operating Instructions supplied with the unit.

## MATERIAL

High density polyethylene body (HDPE) and satin finished 304 stainless steel.

## OPTIONS


- Surface Mount unit available (Part No. 10-9018-9)
- Box of 500 liners (Part No: LCR)
- Replacement strap (Part No: 10-9014-14159)

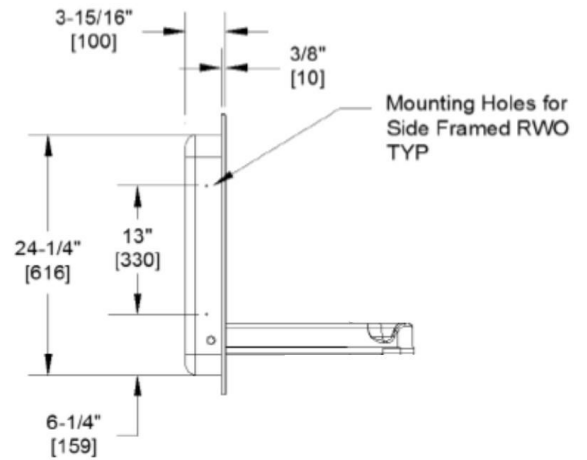
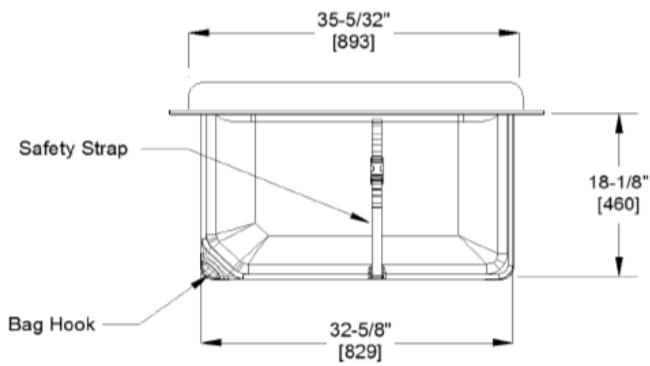
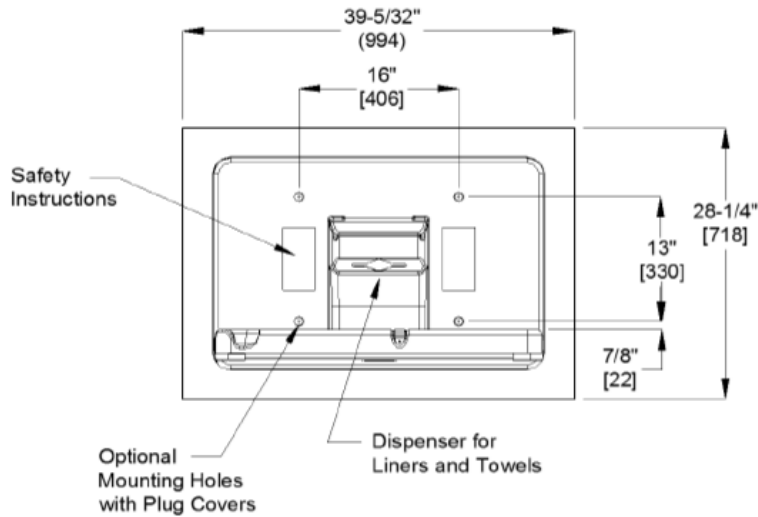
## WARRANTY & PRODUCT LIABILITY

ASI JD MacDonald Baby Change Stations are guaranteed against defective materials and faulty workmanship for 5 years from date of purchase, subject to being installed and maintained in accordance with the Installation and Operating Instructions supplied with the unit.

A \$10 million product liability insurance policy is maintained on all baby change stations.

**Recessed Baby Change Station Stainless Steel Clad Parallel** shall be Model No. 10-9018 as supplied by ASI JD MacDonald.

 All ASI JD MacDonald accessible compliant products when installed must be in accordance with AS1428 to ensure the specified product is complying with all washroom specification requirements.



ASI JD MacDonald reserves the right to, and does from time to time, make changes and improvements in design and dimensions. The photographs and line drawings of the products in this flyer are representational only. All dimensions are in millimetres.