



SPECIFICATION

Recessed Soap Dish (Rear Mounted) shall be formed of 16 gauge 18-8 alloy stainless steel, type 304. Unit shall be one piece drawn construction with bevelled trim and embossments for air circulation. All exposed surfaces shall have No 4 satin finish. Back of soap dish shall have two (2) welded on 1/4-20-UNC-2B internally threaded posts that accept threaded rods with washers and nuts (supplied). Back plate shall be die-formed of 11 gauge galvanized steel and shall be reversible for shallow or deep wall installation.

INSTALLATION

Recess mount unit through wall opening and secure to finished wall with washers and nuts (supplied).

Rough wall opening (RWO)

165(W) x 127(H) x 70(D)mm minimum

OPERATION

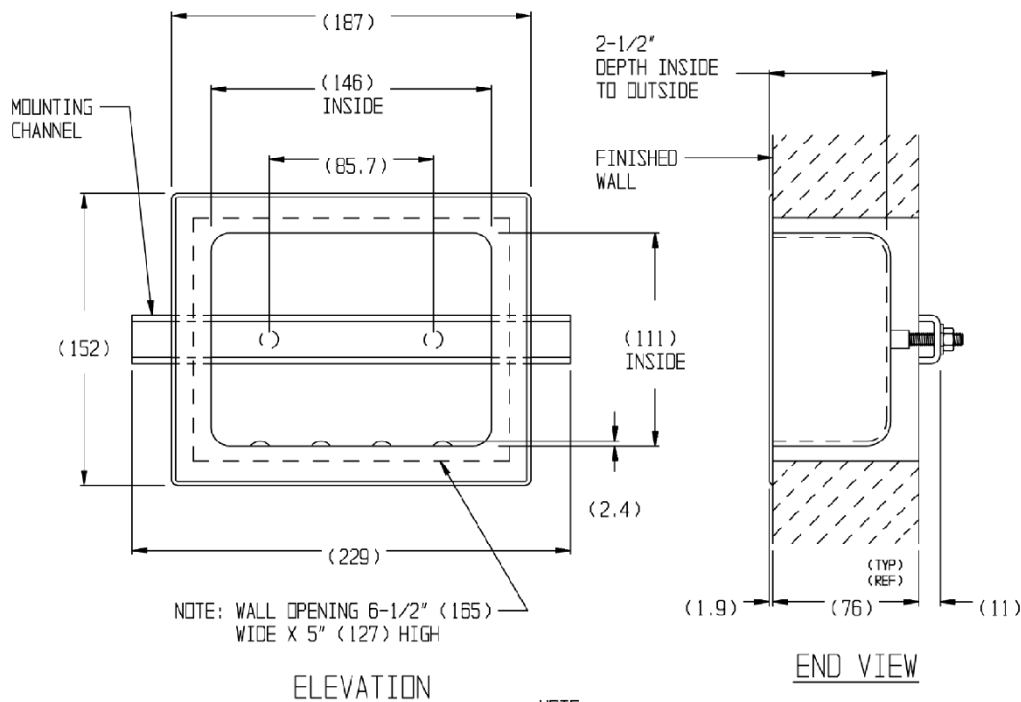
Soap is stored in the interior of the dish on raised dimples that allow water to drain away and provide a gripping surface to retain soap.

WARRANTY

One year.

Security Recessed Shelf shall be Model No 10-140 as supplied by ASI JD MacDonald.

All ASI JD MacDonald disabled compliant products when installed must be in accordance with AS1428 to ensure the specified product is complying with all washroom specification requirements.



NOTE:
ALL DIMENSIONS ARE IN (millimeters).